



Label Placement Guide

P/N 7301-058



IMPORTANT!

Read contents carefully prior to operation.

RECOMMENDED WARNING LABEL PLACEMENT ON TAYLOR MACHINES

PLACEMENT OF LABELS MAY VARY DUE TO CONSTRUCTION DESIGN OF MACHINES. LABELS SHOULD ALWAYS BE PLACED ON SURFACES THAT ARE HIGHLY VISIBLE TO THE OPERATOR AND BYSTANDERS.

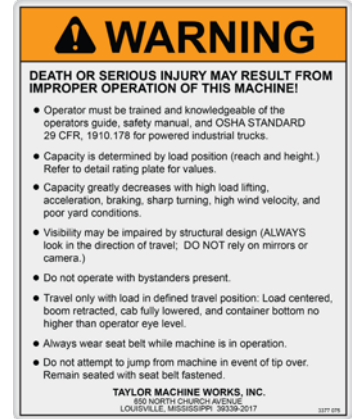
Maintenance Warning
Label No. 3377-010



No Riders
Label No. 3377-019



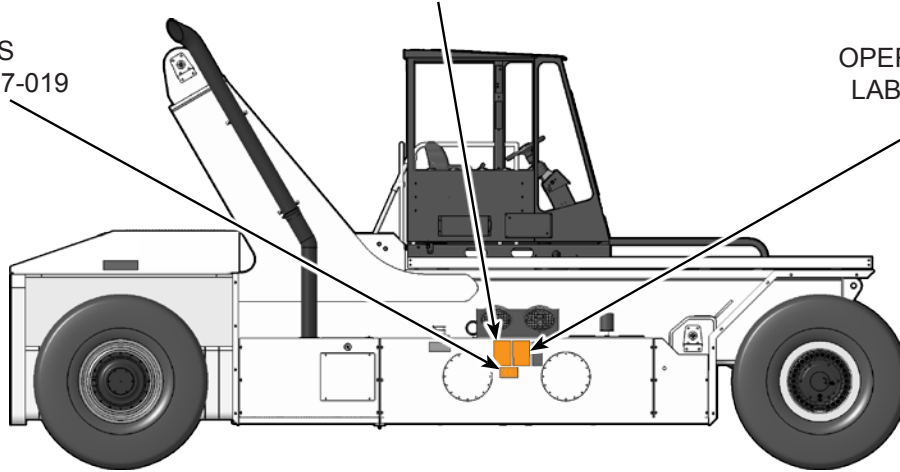
Operator Warning
Label No. 3377-075



MAINTENANCE WARNING
LABEL NO. 3377-010

NO RIDERS
LABEL NO. 3377-019

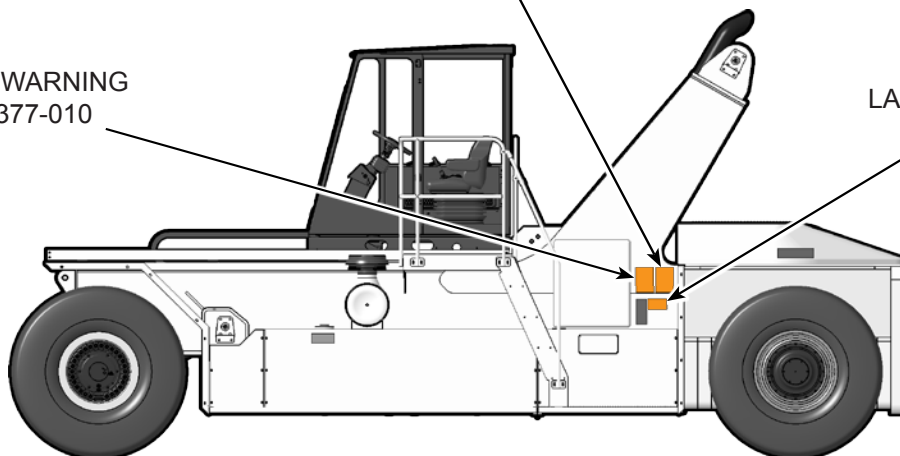
OPERATOR WARNING
LABEL NO. 3377-075



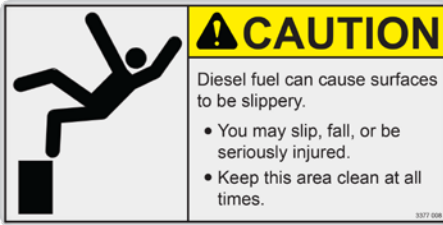
OPERATOR WARNING
LABEL NO. 3377-075

MAINTENANCE WARNING
LABEL NO. 3377-010

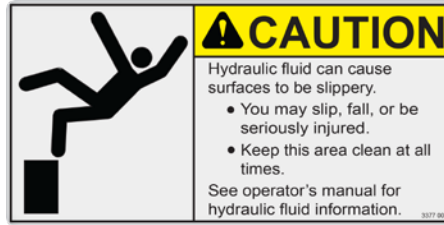
NO RIDERS
LABEL NO. 3377-019



Diesel Fuel Slip Hazard
Label NO. 3377-008



Hydraulic Fluid Slip Hazard
Label No. 3377-009

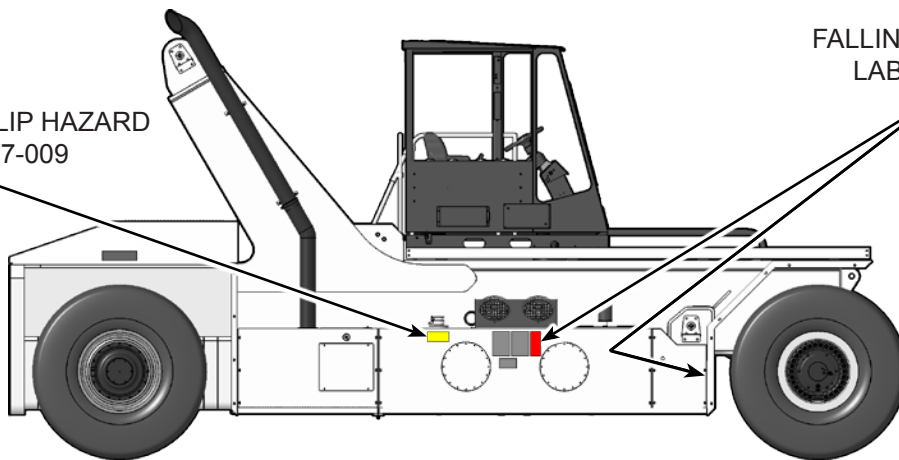


Falling Object Hazard
Label No. 3377-077



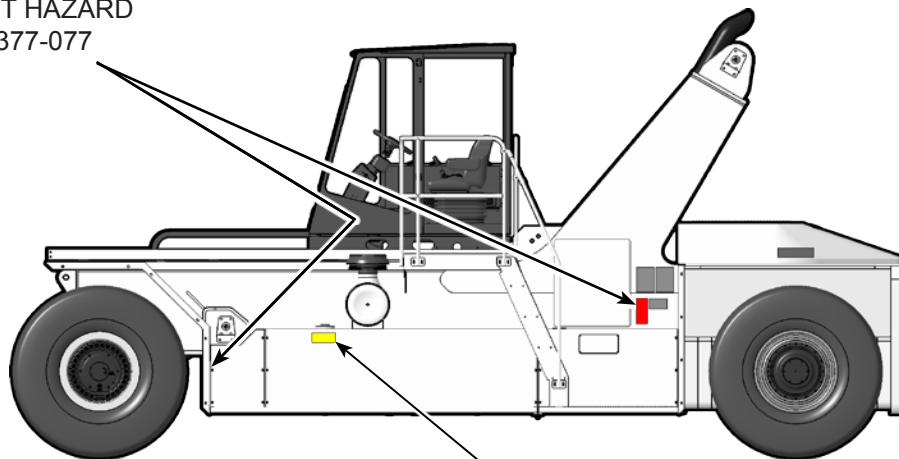
HYDRAULIC FLUID SLIP HAZARD
LABEL NO. 3377-009

FALLING OBJECT HAZARD
LABEL NO. 3377-077



FALLING OBJECT HAZARD
LABEL NO. 3377-077

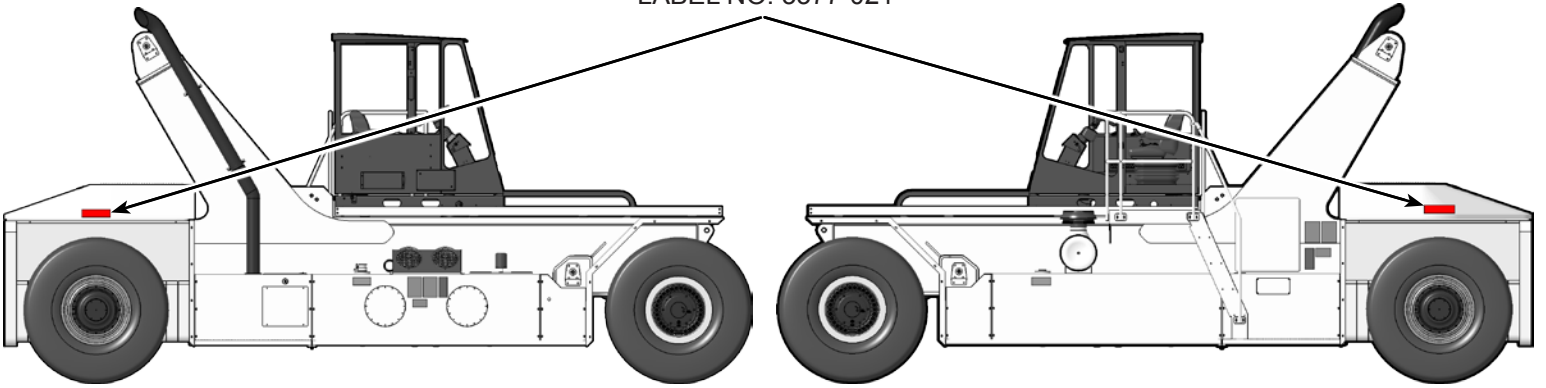
DIESEL FUEL SLIP HAZARD
LABEL NO. 3377-008



Wide Turns
Label No. 3377-021



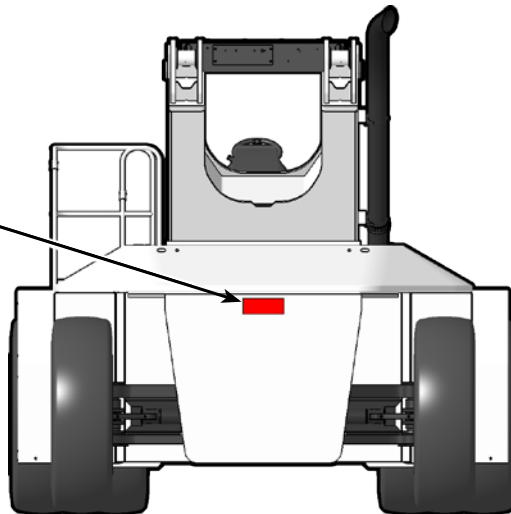
WIDE TURNS
LABEL NO. 3377-021



Stay Clear
Label No. 3377-022



STAY CLEAR
LABEL NO. 3377-022



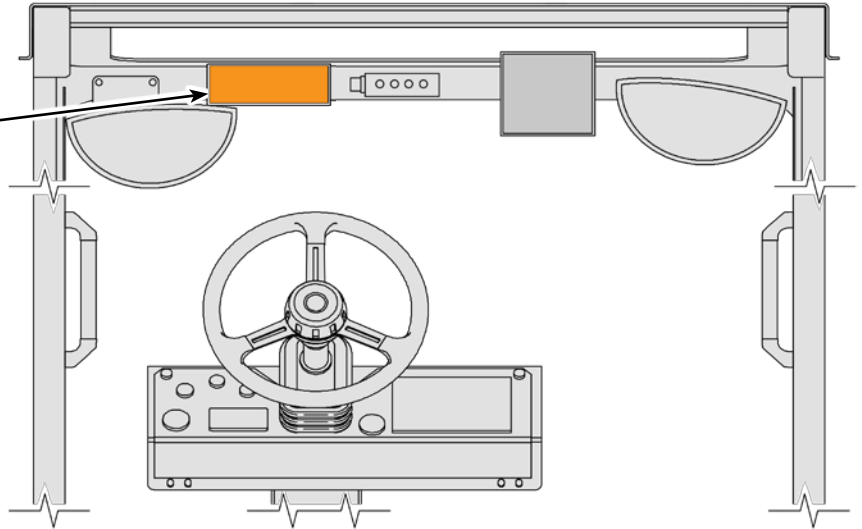
Cab Operator Warning
Label No. 3377-171

⚠ WARNING

DEATH OR SERIOUS INJURY MAY RESULT FROM IMPROPER OPERATION OF THIS MACHINE!

- Operator **MUST** be trained and knowledgeable of the Operators Guide, Safety Manual, and OSHA Standard 29 CFR, 1910.178 for Powered Industrial Trucks.
- Capacity is determined by **LOAD POSITION** (reach and height.) Refer to detail rating plate for values.
- Capacity **GREATLY** decreases with high load tilting, acceleration, braking, sharp turning, **HIGH WIND VELOCITY**, and poor yard conditions.
- Visibility may be impaired by structural design (**ALWAYS** look in the direction of travel. **DO NOT** rely on mirrors or camera.)
- DO NOT** operate with bystanders present.
- Travel **ONLY** with load in defined travel position: load centered left to right, cab fully lowered, boom retracted, and container bottom no higher than operator eye level.
- Capacity **GREATLY** decreases with high load tilting, acceleration, braking, sharp turning, **HIGH WIND VELOCITY**, and poor yard conditions.
- ALWAYS** wear seat belt while machine is in operation.
- DO NOT** attempt to jump from machine in event of tip over! Remain seated with seat belt fastened.

TAYLOR MACHINE WORKS, INC. 3690 NORTH CHURCH AVENUE / LOUISVILLE, MISSISSIPPI 39339-0127, U.S.A.
3377-171



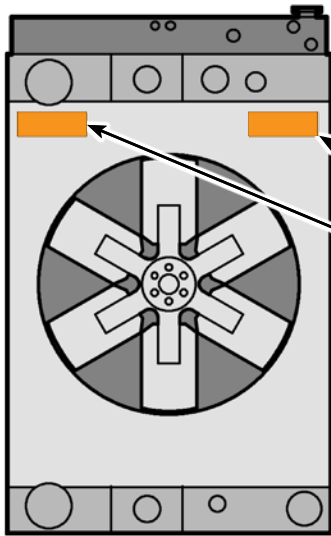
These labels should be placed in one of two places, located for best visibility, near the fan.

Example 1. Place them near the top front facing of the fan shroud.

Example 2. Place them on the chassis wall near the fan underneath the rearmost deck plate.

Apply the label to a clean, dry, oil free surface.

Do not apply the label to the radiator because heat will destroy it.



EXAMPLE 1

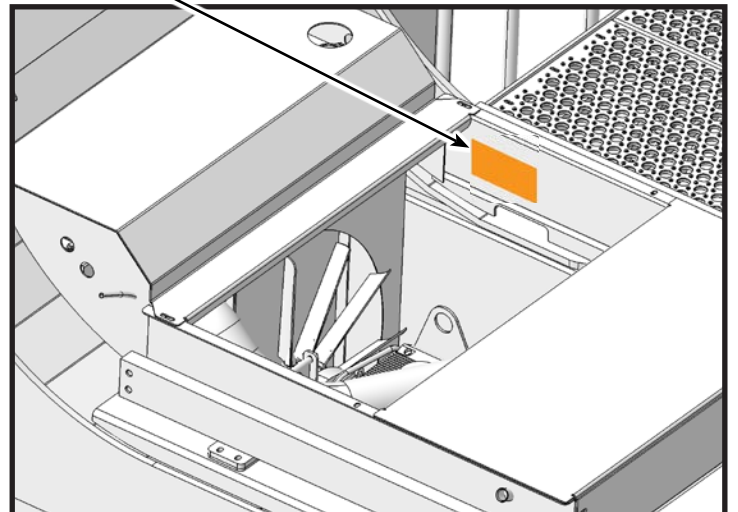
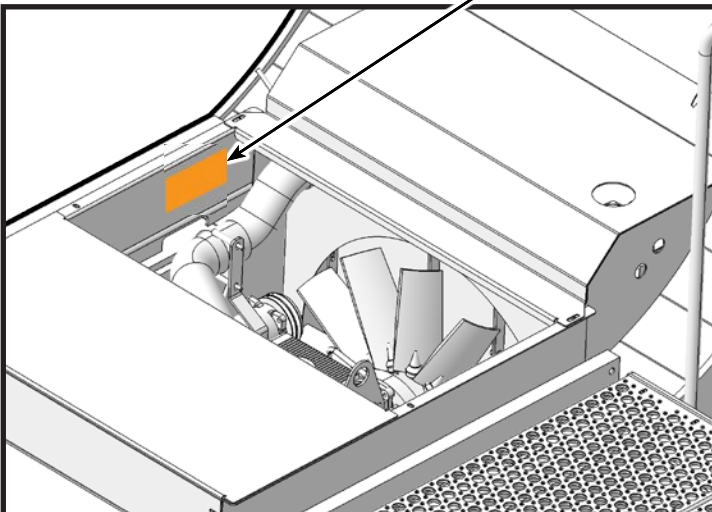
Hand In Fan Warning
Label No. 3377-025

⚠ WARNING

Rotating fan can cause severe injury.

STAY CLEAR of fan while engine is running.

3377-025



EXAMPLE 2

On Trucks With Right Hand Side Cab Access

PLACEMENT OF LABELS MAY VARY DUE TO CONSTRUCTION DESIGN OF MACHINES.
 LABELS SHOULD ALWAYS BE PLACED ON SURFACES THAT ARE HIGHLY VISIBLE TO THE OPERATOR
 AND BYSTANDERS.

Wide Turns Label
 Label No. 3377-021



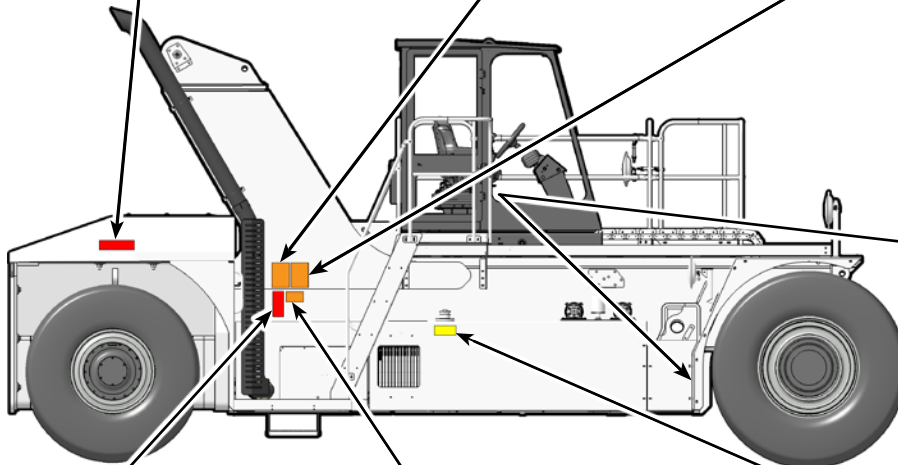
Maintenance Warning
 Label No. 3377-010



Operator Warning
 Label No. 3377-075



Falling Object Hazard
 Label No. 3377-077



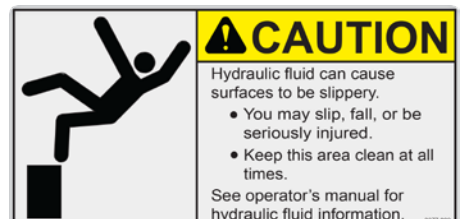
Falling Object Hazard
 Label No. 3377-077



No Riders
 Label No. 3377-019



Hydraulic Fluid Slip Hazard
 Label No. 3377-009



General Vinyl Decal Application Instructions

The following are general instructions which can be used for the installation of most common vinyl decals with pressure sensitive adhesives. Special materials and/or adhesives may require different or additional instructions. In these cases contact the TMW Engineering Department.

1. For best results, application surface must be at room temperature or higher. Low temperature surfaces, below 50° can cause the adhesive to become firm and prevent full contact with the application surface. Decal and application surface must be at the same temperature.
2. The application surface must be clean and dry before the decal is to be applied.
 - A. Clean surfaces with cleaning solvent to remove dirt, debris, grease and other contaminants. Acceptable solvents are Heptane, Isopropyl Alcohol, and Crest Industries Acry-Solv.
 - B. Allow solvent to evaporate or dry fully before applying decal.
3. Remove backing from decal. Avoid touching the edges of the decal. Handling should only be done at the center of the decal to maximize edge adhesion. Avoid repeated touching of the adhesive surface.
4. Apply decal to clean surface. Ensure decal is properly aligned and located. Always refer to the Taylor installation drawing for the specific machine model for location and part numbers. Ensure that no wrinkles or air bubbles are present under decal material.
5. There are vinyl decal application fluids commercially available to aid in the temporary repositioning of the decal after application. Additionally, a solution of water and “baby” shampoo can be used. Ensure surface is clean before spraying application fluid. Ensure fluid is completely “squeegeed” from beneath decal material. Allow to dry after positioning before touching further.
6. For vinyl decals with pressure sensitive adhesives, high adhesive bond strength is achieved through increased rubdown pressure. After decal has been applied to surface, smooth decal with plastic application spreader providing firm, even pressure over the entire decal surface area.
7. Any decals with air bubbles or wrinkles present, improper alignment or location, or edges lifting away from the application surface must be removed and replaced according to this procedure.

If any of the following labels are missing from your machine it is important that you replace them immediately.

3377-008, 3377-009, 3377-010, 3377-019, 3377-021,
3377-022, 3377-025, 3377-049, 3377-075, 3377-077

If you need assistance, contact your local Taylor dealer or Taylor Machine Works' Market Research Department at (662) 773-3421

TAYLOR MACHINE WORKS, INC.

3690 North Church Avenue
Louisville, Mississippi 39339-2070
Phone (662) 773-3421